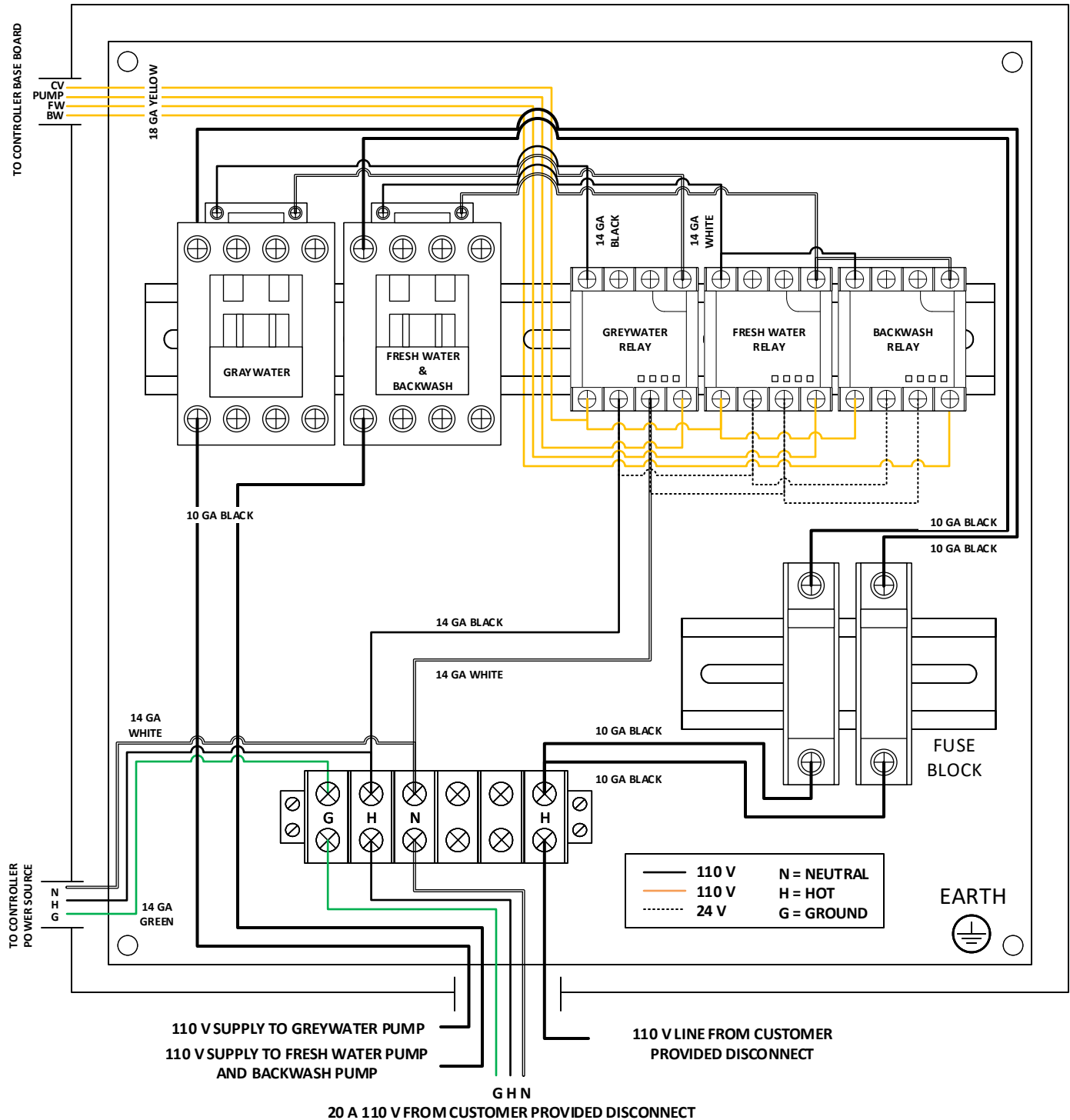


ReWater® 110 VAC Two Pump Relay Junction Box Installation Wiring Diagram



WARNING

YOU MUST GROUND THE ReWater® CONTROLLER THAT THIS JUNCTION BOX IS ATTACHED TO BEFORE ANY WIRE IS CONNECTED TO THIS BOX OR THE CONTROLLER AS STATIC ELECTRICITY MAY SHORT THAT CONTROLLER'S PC BOARD AND RENDER IT INOPERATIVE, AND SUCH IS NOT COVERED BY WARRANTY.